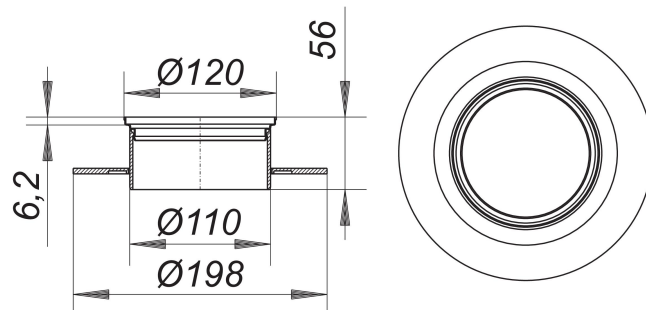
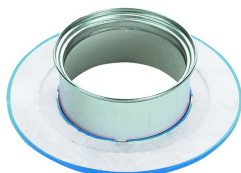


Frame V, S 15/d: 120 mm

Part number: 495433
GTIN: 4001636495433
Rebate group: 5



Description:

Frame V, S 15/d: 120 mm
for CeraDrain S 15 and TistoDrain S 15,
height adjustable up to 40 mm with +/- 13 mm lateral adjustment, with centring collar, spigot ABS, frame 304 stainless steel, d: 120 mm,
used with grates d: 115 mm