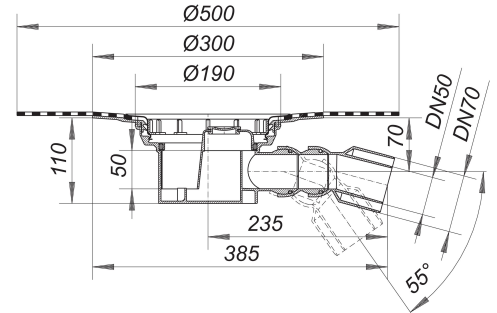


Floor drain body type 54 DallBit, DN 50/DN 70

Part number: 542052
 GTIN: 4001636542052
 Rebate group: 3



Description:

Floor drain body type 54 DallBit, DN 50/DN 70
 conforming to DIN EN 1253

with d: 500 mm collar of 5.0 mm thick bituminous membrane, welded to the flange and secured with stainless steel clamp ring.
 outlet DN 50/DN 70 horizontal, with double ball-joint, adjustable 0 – 55 degrees

specification

- trap insert, 50 mm water seal (conforming to DIN EN 1253)
- rodding eye*
- temporary blanking plate

material

polypropylene

The outlet connector can be supplied in ABS to suit British Standard sizes and PE-HD conforming to DIN EN 1519. Please enquire.

* Access to trap and outlet via rodding eye.

Flow rates tested to DIN EN 1253:

Nominal diameter	Product standard	Min. flow rate according to norm	Water level according to norm
DN 70	DIN EN 1253	0.80 l/s	20.00 mm
DN 50	DIN EN 1253	0.80 l/s	20.00 mm

Spare parts:

590015 screwed plug for 54, 55, 57, 57 AK, 58,

590084 support ring, white